



Order No.	<b>X-XLF50</b>
Model No.	<b>XLF50 (Ignite XLF 50 inch)</b>
Notes:	

## Section 10309 - Manufactured Electric Fireplaces

### PART 1 GENERAL

#### 1.1 SECTION INCLUDES

- A. Manufactured electric fireplaces.
- B. Accessories

#### 1.2 RELATED SECTIONS

- A. Section 06100 - Rough Carpentry: Wood framed rough opening and enclosure.

#### 1.3 REFERENCES

- A. UL - 2021
- B. CSA - C22.2 No. 46

#### 1.4 SUBMITTALS

- A. Submit under provisions of Section 01300.
- B. Product Data: Manufacturer's data sheets on each product to be used, including:
  - 1. Preparation instructions and recommendations.
  - 2. Storage and handling requirements and recommendations.
  - 3. Installation methods.
- C. Manufacturer's Certificates: Certify products meet or exceed specified requirements.
- D. Manufacturer's warranty.

#### 1.5 DELIVERY, STORAGE, AND HANDLING

- A. Store products in manufacturer's unopened packaging until ready for installation.
- B. Protect materials from exposure to moisture. Do not deliver until after wet work is complete and dry.

#### 1.6 WARRANTY

- A. Provide the manufacturer's 5-year limited warranty on electrical components.

### PART 2 PRODUCTS

#### 2.1 ACCEPTABLE MANUFACTURERS

- A. Pre-fabricated Electric Fireplace:
  - 1. Base: Dimplex Electric Fireplace  
Glen Dimplex Americas  
1367 Industrial Road  
Cambridge ON N3H 4W3  
1-888-346-7539  
www.dimplex.com
  - 2. Substitutions not permitted
  - 3. Requests for substitutions will be considered in accordance with provisions of Section 01600.



Order No.	<b>X-XLF50</b>
Model No.	<b>XLF50 (Ignite XLF 50 inch)</b>
Notes:	

## Section 10309 - Manufactured Electric Fireplaces

### 2.2 ELECTRIC FIREPLACES

#### A. General:

1. Provide all components and accessories required for a complete, functional unit.
2. cULus listed, file E71416

#### B. Pre-fabricated Electric Fireplace:

1. Base Product:
  - a) Dimplex Ignite Linear Electric Fireplace
  - b) Material Number: X-XLF50
  - c) Regulatory model number: 690963XXXX
2. Description: Realistic 50" linear electric fireplace
3. Dimensions (with included trim):
  - a) Width: 51-1/2" / 130.6 cm
  - b) Height: 16-1/2" / 41.9 cm
  - c) Depth: 5-3/4" / 14.6 cm
4. Framing Dimensions:
  - a) Width: 50-5/8" / 128.6 cm
  - b) Height: 16" / 40.6 cm
  - c) Depth: 3-1/2" / 9.0 cm (5-1/2" / 14.0 cm)
5. Electrical:
  - a) Volts: 120 V, 240 V
  - b) Watts: 1500 W, 2500 W
  - c) BTUs: 5000 / 8530
  - d) Amps: 12.5 / 10.4
6. Venting: Non-venting
7. Operation: Flame only, flame and heat
8. Heating: Louver-less, fan-forced circulation
9. Liner: Steel
10. Standard features:
  - a) A new multi-layered color effect that creates a sense of depth. Color settings can be controlled independently or combined in one of seven presets.
  - b) Ambient Light Sensor automatically adjusts firebox light to suit the room or can be customized with a range of preset colors.
  - c) The multi-media bed includes acrylic crystals.
  - d) LED flame technology
  - e) Hard wire capabilities - 120V, 240V



Order No.	<b>X-XLF50</b>
Model No.	<b>XLF50 (Ignite XLF 50 inch)</b>
Notes:	

## Section 10309 - Manufactured Electric Fireplaces

- f) Built-in touch controls
  - g) Built-in Timer - Set for up to 8 hours.
  - h) Seamless installation and edge to edge glass
  - i) Equipped with integrated smart technology that provides maintenance and operation feedback
11. Control options:
- a) Flame Connect mobile app
  - b) Multi-function remote control
  - c) Built-in hidden controls (Standby, heat on/off, thermostat, brightness, flame theme)
12. Optional Accessories:
- a) Trim Kit - X-XLFTRIM50
  - b) Driftwood and River Rock Accessory Package - X-LF50DWS-KIT

### PART 3 EXECUTION

#### 3.1 INSPECTION

- A. Do not begin installation until substrates have been properly prepared.
- B. If substrate preparation is the responsibility of another installer, notify Architect of unsatisfactory preparation before proceeding.
- C. Verify proper power supply and fuel source are available.

#### 3.2 PREPARATION

- A. Clean surfaces thoroughly prior to installation.
- B. Prepare surfaces using the methods recommended by the manufacturer for achieving the best result for the substrate under the project conditions.

#### 3.3 INSTALLATION

- A. Install in accordance with manufacturer's instructions and requirements of authorities having jurisdiction.
- B. Use manufacturer's guidelines for minimum clearances to combustibles, walls, and finishes.
- C. Anchor all components firmly in position for long life under hard use.
- D. Upon completion of installation, visually inspect all exposed surfaces. Touch up scratches and abrasions with touch up paint recommended by the manufacturer; make imperfections invisible to the unaided eye from a distance of 5 feet (1.5 m).
- E. To use the mobile app, install where a WiFi connection is available.

#### 3.4 PROTECTION

- A. Protect installed products until completion of project.
- B. Touch-up, repair or replace damaged products before Substantial Completion.

**END OF SECTION**

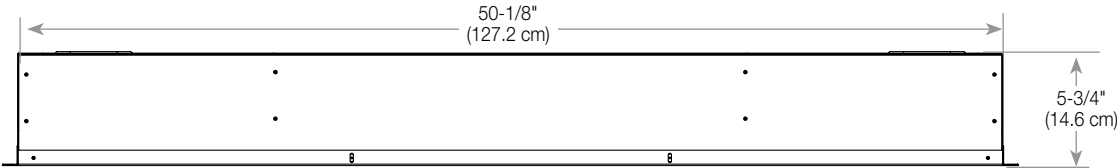


Order No. **X-XLF50**  
 Model No. **XLF50 (Ignite 50 inch)**

Notes:

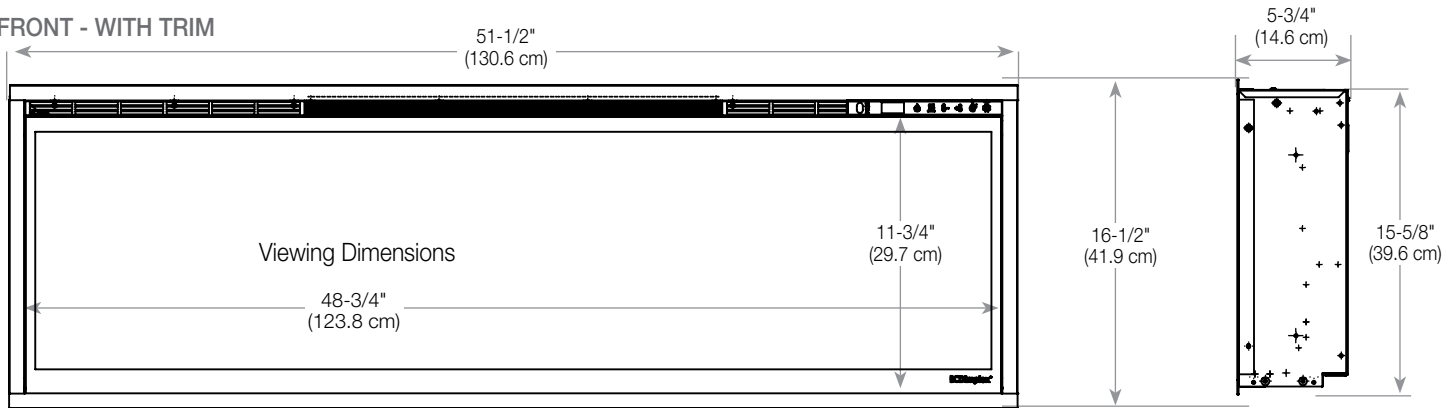
## Product Dimensions:

FRONT - NO TRIM



**Installs without trim to stone, brick and other solid finish materials; includes trim for drywall and tile surfaces.**

FRONT - WITH TRIM



## Framing / Installation:

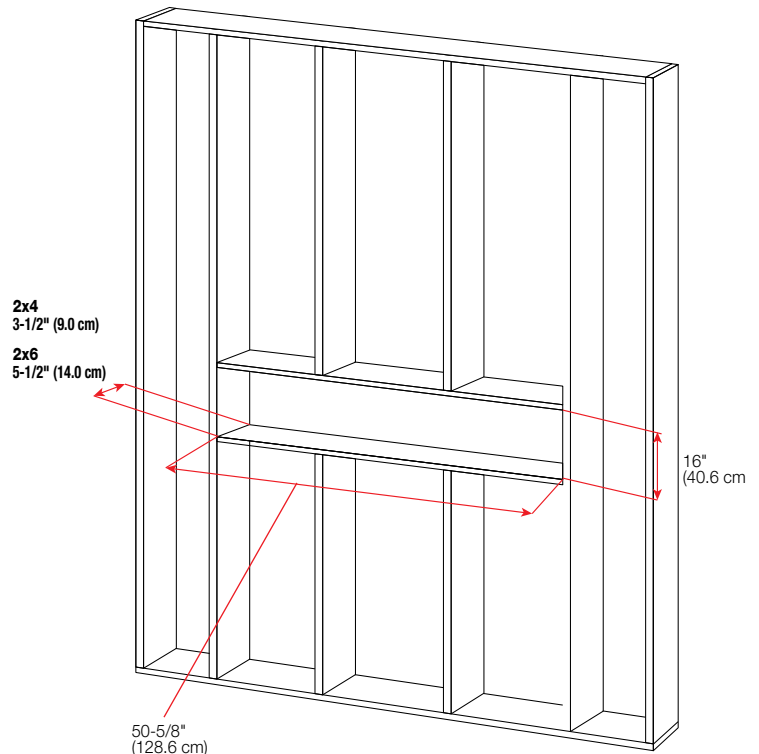
**NOTE:** Two people are required for installation.

Prepare a wall with a framed opening, following the dimensions shown in Figure 3. The fireplace can either be installed partially-recessed (2"x4" frame) or flush-mounted (2"x6" frame).

**CAUTION:** Decorative finishing material (such as brick) should be limited to 1/2" (1.3 cm) overhang to ensure adequate flow of heated air out of the firebox area.

**CAUTION:** This fireplace is NOT load-bearing. Ensure the opening for the fireplace is framed in such a way that the weight of the building materials will not create pressure on the top of the fireplace.

**NOTE:** For 2"x4" construction where the unit will be partially recessed, it is recommended to use XLFTRIM kit (sold separately) to accommodate the protruding portion of the fireplace.



**NOTE:** Wiring entry is located on the right side at the bottom of the firebox. Plan the framing to allow routing of the power cable to this location.

